



*we*innovate cooking

# KITCHENS DIAMANTE 70

## GRIDDLE PLATES

Model

D73/10FTGR

Code

CR0993949

### General characteristics

- Stainless steel outer coatings and feet.
- Worktops made of 1,5 mm thick, brushed AISI 304 stainless steel.
- Adjustable worktop height from 840 to 900 mm.
- Contoured control panels with controls tilted towards the operator.
- Large knobs that do not protrude from the machine structure.
- Range modularity: 200-400-600-800-1200.
- Simple and effective coupling system.
- Appliances set up for the plinth.
- Vast accessory range.
- Appliances in compliance with CE standards.

### GAS GRIDDLE WITH GROOVED PLATE ON OPEN CUPBOARD



### Technical/functional characteristics

- Outer casing and feet in stainless steel.
- Adjustable worktop height, ranging from 840 to 900 mm.
- Recessed hot plate, 40 mm lower than worktop surface.
- Enamelled hot plate surface ribbed.
- Plate slants 10mm forwards.
- Large grease drawer.
- Burner with self-stabilizing flame.
- Temperature adjustment and regulation with safety tap and thermocouple (200-400°C) or thermostat safety valve with thermocouple (110-280°C).

### Technical Data

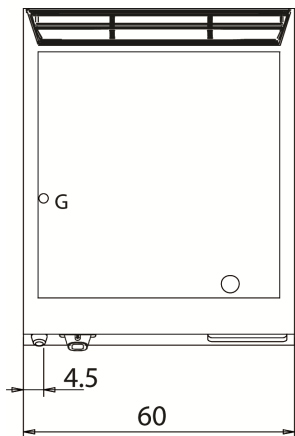
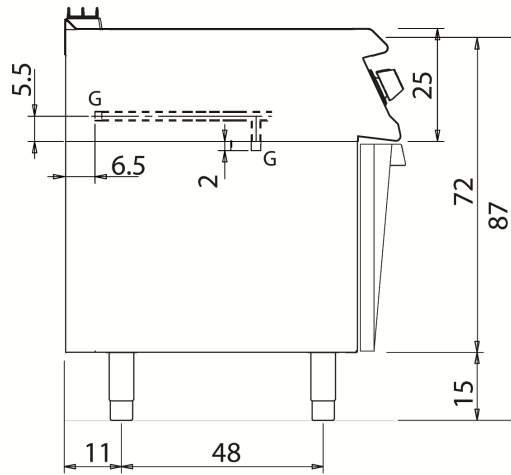
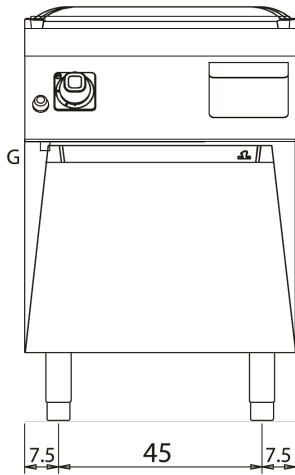
Model	D73/10FTGR
Width (mm)	600,00
Depth (mm)	730,00
Height (mm)	870,00
VOLUME	0,61
WEIGHT	95,00
SUPPLY	GAS
Gas power	9
Electric power	
Internal ovens dimension	
OVEN CAPACITY	
Plate dimensions (mm)	535x530x14.5
TANK DIMENSIONS	
Tank capacity (l)	

### GRIDDLE PLATES

Model  
D73/10FTGR

Code  
CR0993949

#### D73/10 FTGR



#### KEY

- E power supply
- G gas connection
- H2O water inlet
- S water outlet

Connection	Power	Diameter	Supply
Gas connecton	9	1/2"	
Electric connecton			
Cold water connecton			
Hot water connecton			
Cold soft water connecton			
Drain (∅)			
2° Drain (∅)			